

Mill Creek Wet Weather Storage Facility Project



Mill Creek Wet Weather Storage Facility Project

Open House - June 13, 2023

Virtual Public Meeting - June 14, 2023

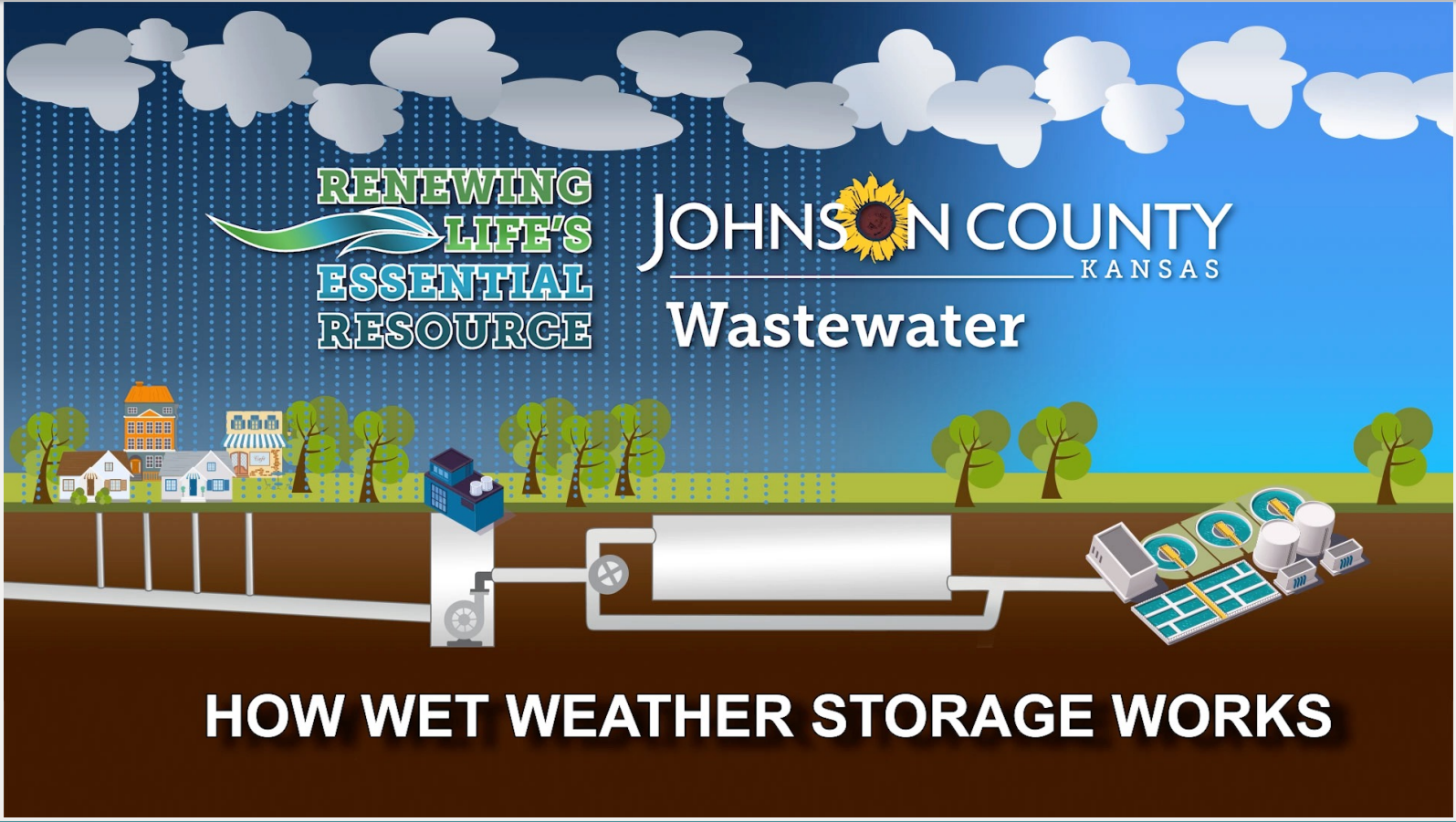
Mill Creek Wet Weather Storage Facility Project Virtual Public Meeting Agenda

- Who is JCW?
- What is wet weather storage?
- Overview and location of project
- What will the facility look like?
 - Site renderings
- Construction
 - Impacts
 - What to expect
- Schedule
- Feedback



OUR MISSION:
Serve Our Customers
Enhance Our Communities
Protect Our Environment

- JCW operates a sanitary only system that includes: Safe collection, transportation and treatment of wastewater generated by most Johnson County homes and businesses.
- Our work helps protect our lakes, rivers, and streams from disease-causing pathogens and pollutants that are harmful to public health and the environment.



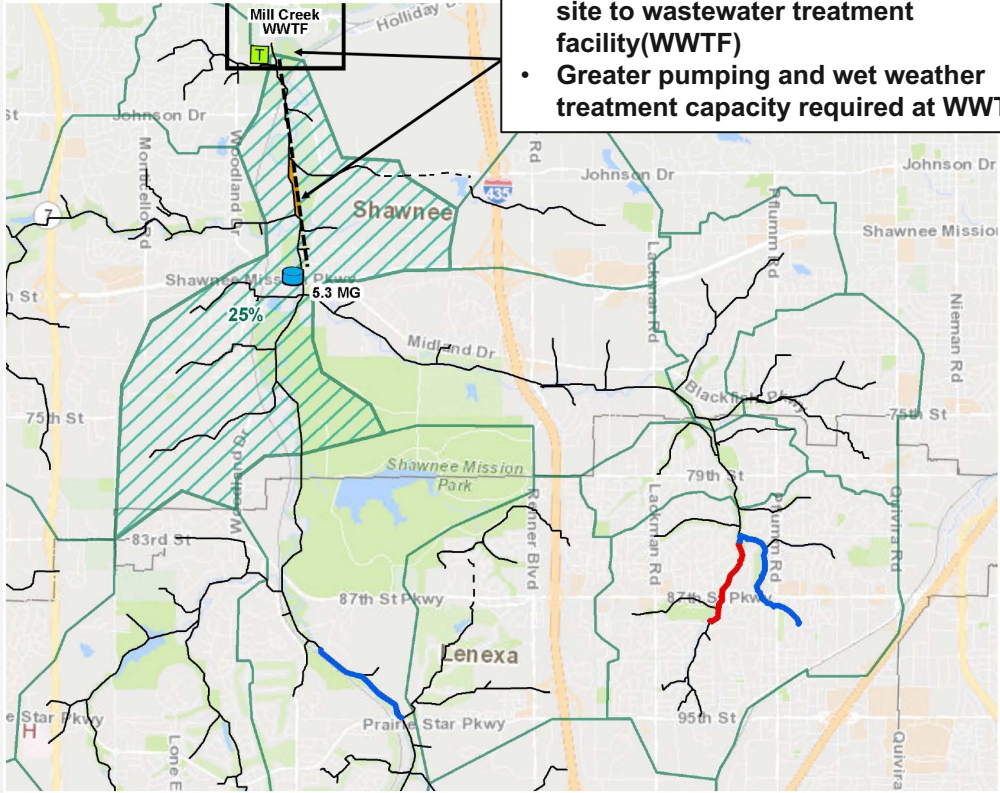
Storage vs. Conveyance

Underground storage facility is lowest cost, long-term solution

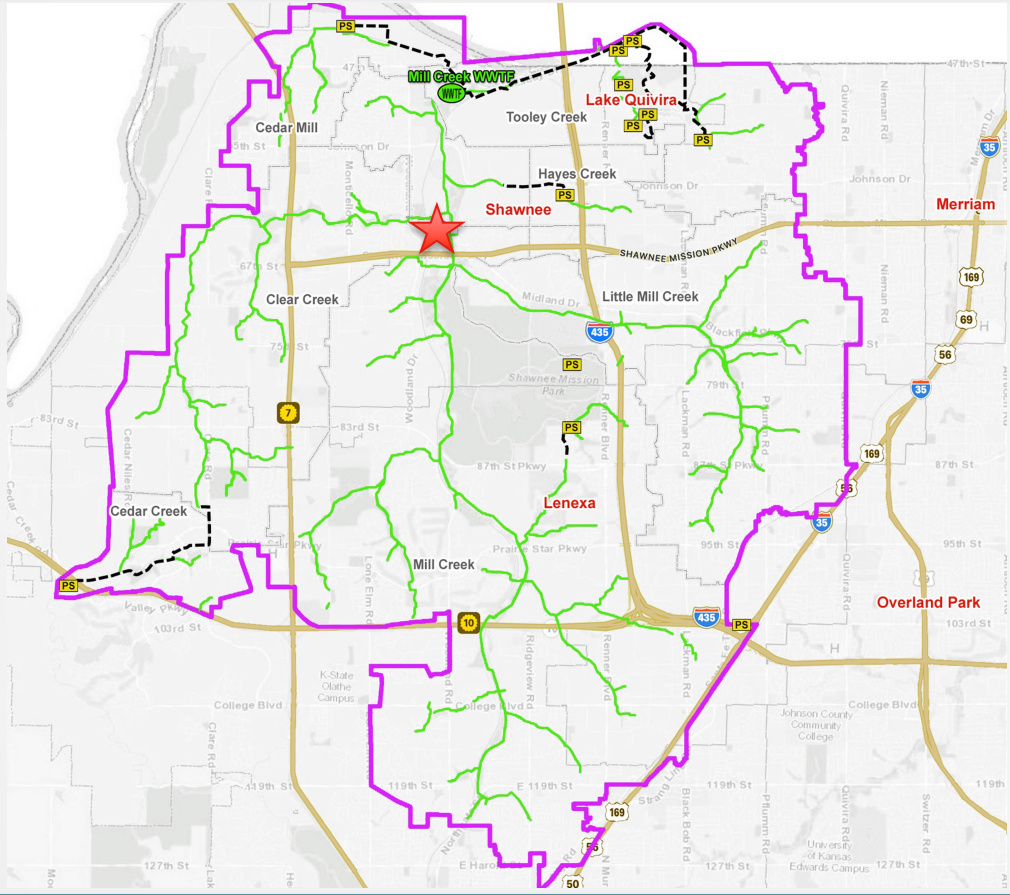
~\$50 million in added capital costs to convey and treat compared to storage

Provides greatest flexibility to accommodate both growth and construction of future treatment technology upgrades

- Without Storage**
- Additional deep conveyance improvements required from storage site to wastewater treatment facility(WWTF)
 - Greater pumping and wet weather treatment capacity required at WWTF

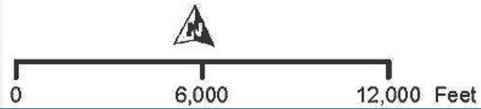


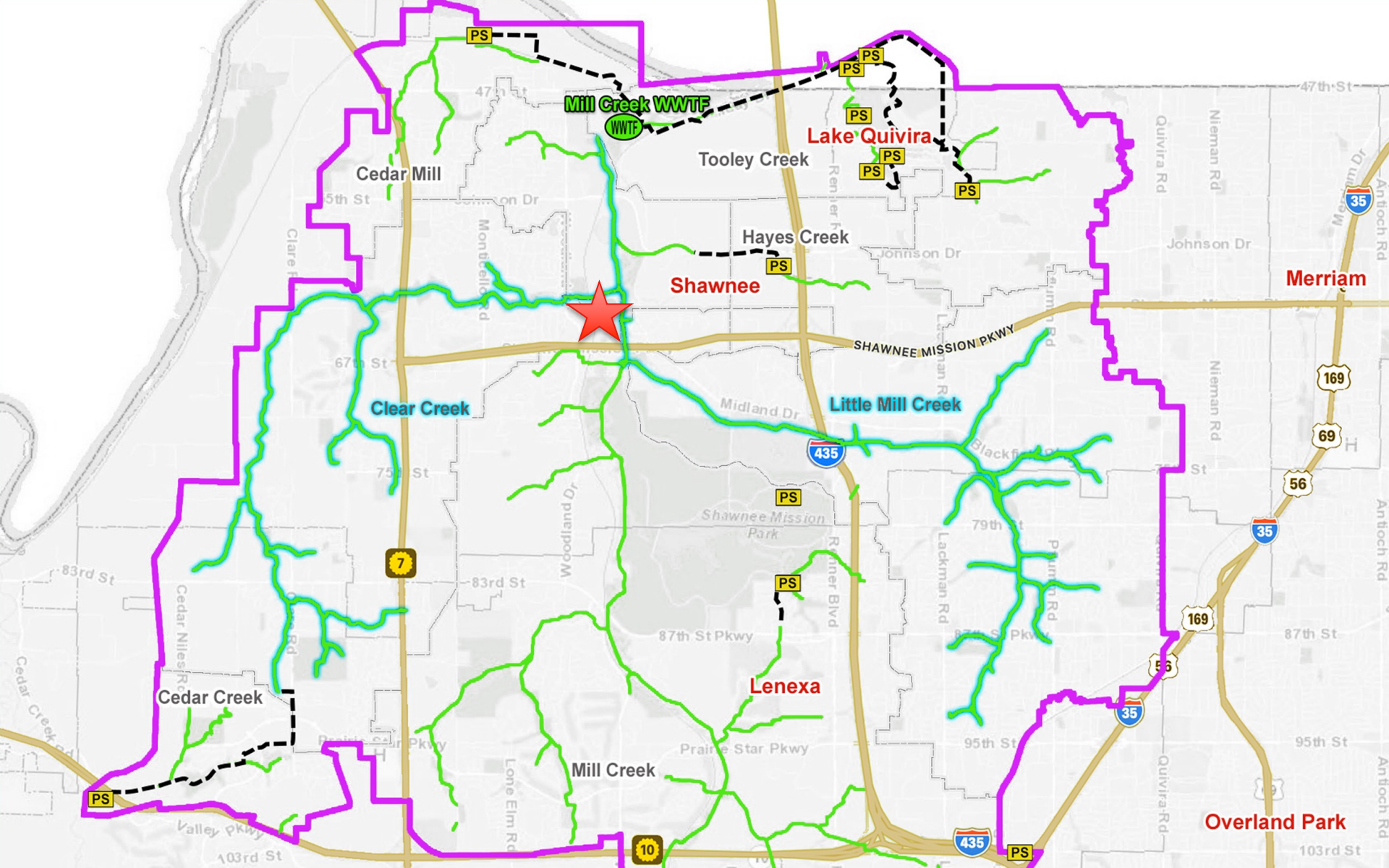
Mill Creek Wet Weather Storage Facility Project Overview & Location of Project



LEGEND

- Mill Creek Wastewater Treatment Facility
- Pump Station
- Gravity Mains
- Forcemains
- Mill Creek Basin Boundary
- Location for Mill Creek Storage Facility
- Cities







Odor Control

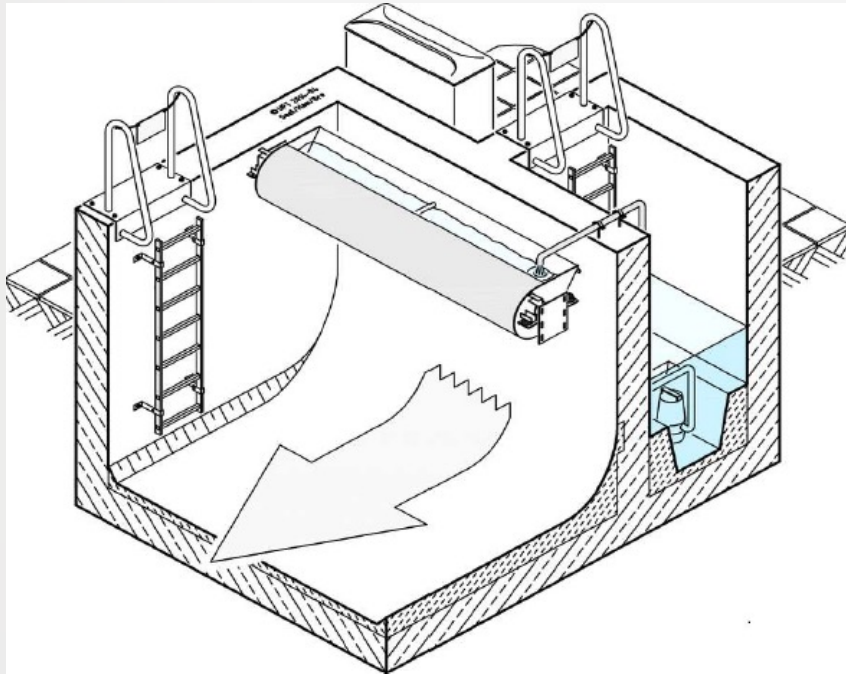
Because the flow into the tank is diluted, it is not anticipated that odors will be an issue. However, JCW has included the following measures to help further reduce the possibility of odors.

- **Covered Tank**
 - Not only does this provide a more aesthetic appeal, covering the tank helps to keep any odors contained.
- **Tank Cleaning**
 - After an event, the tank is cleaned to remove any odor causing solids that may have settled to the bottom. Cleaning is automated and occurs after the tank is drained.
- **Vapor Phase Carbon Scrubber**
 - Activated Carbon Filter
 - Periodic Carbon Media Inspection and Replacement
 - Fan Monitored Remotely

JCW has a hotline for residents to inform JCW of odor concerns.

- A ticket is created, and a crew will be sent to the site within 24 hours to address the issue.
- The hotline can be accessed at (913) 715-8600.

Tank Cleaning System

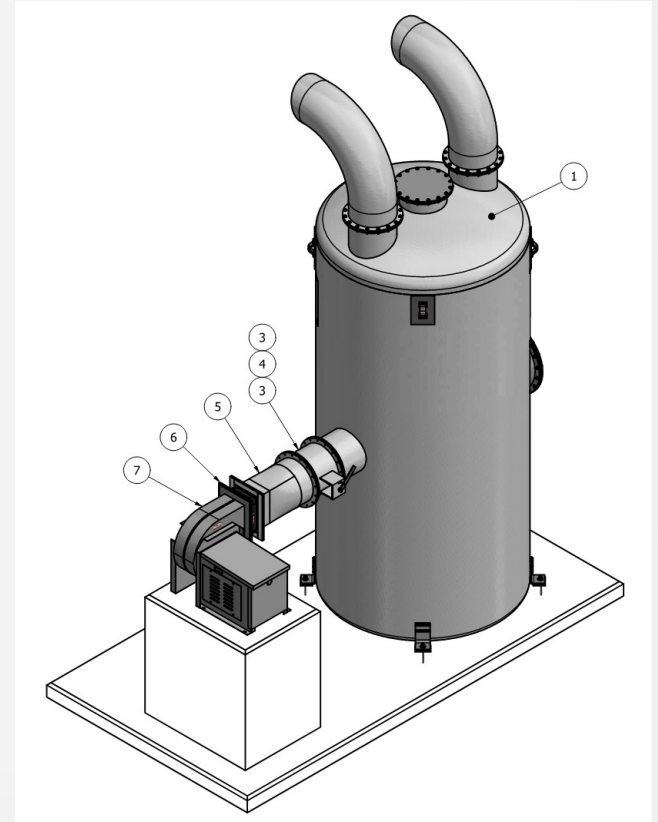


*This is a basic vendor graphic.
The Mill Creek Wet Weather Storage Tank will be covered.*



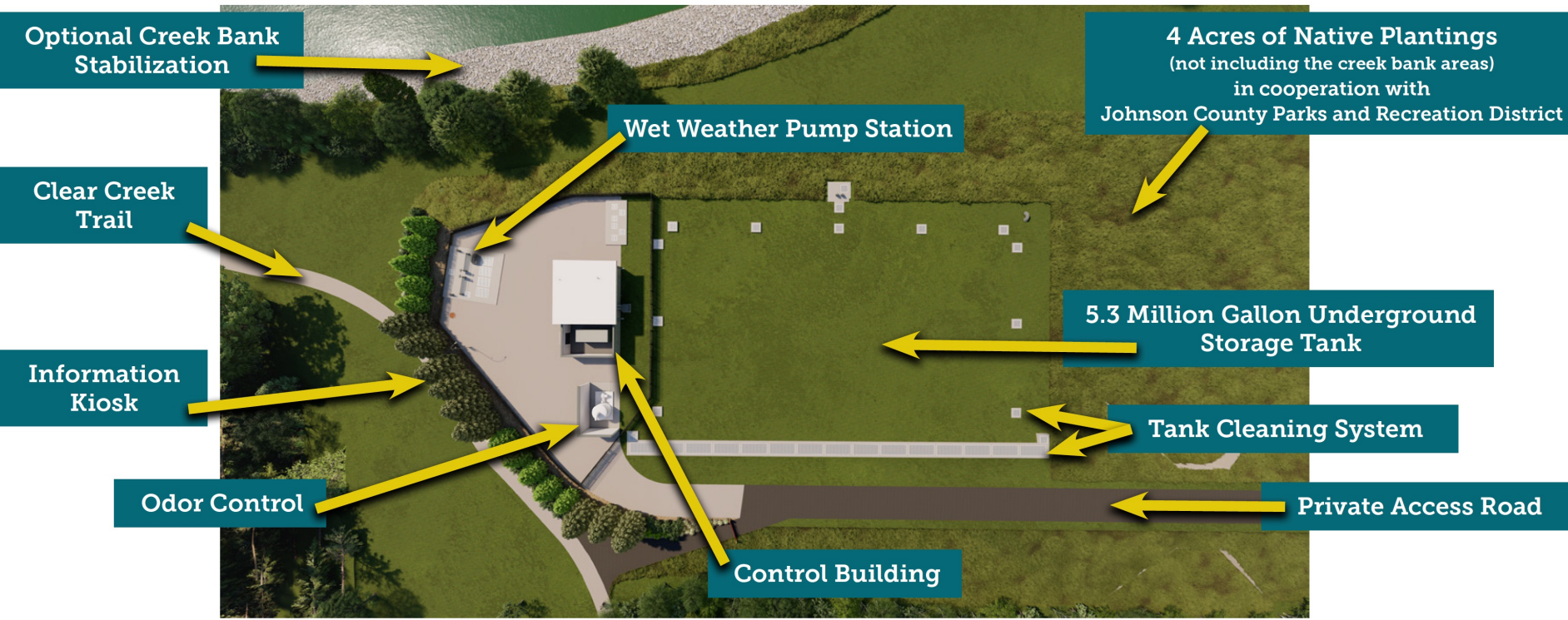
Tipping Trough System

Typical Activated Carbon Odor Control Vessel



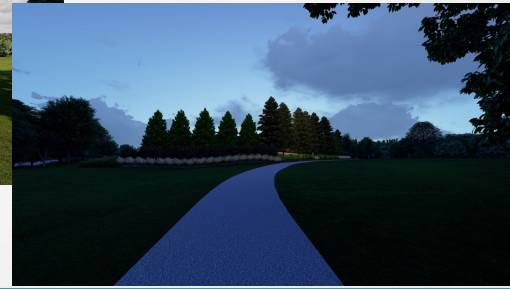
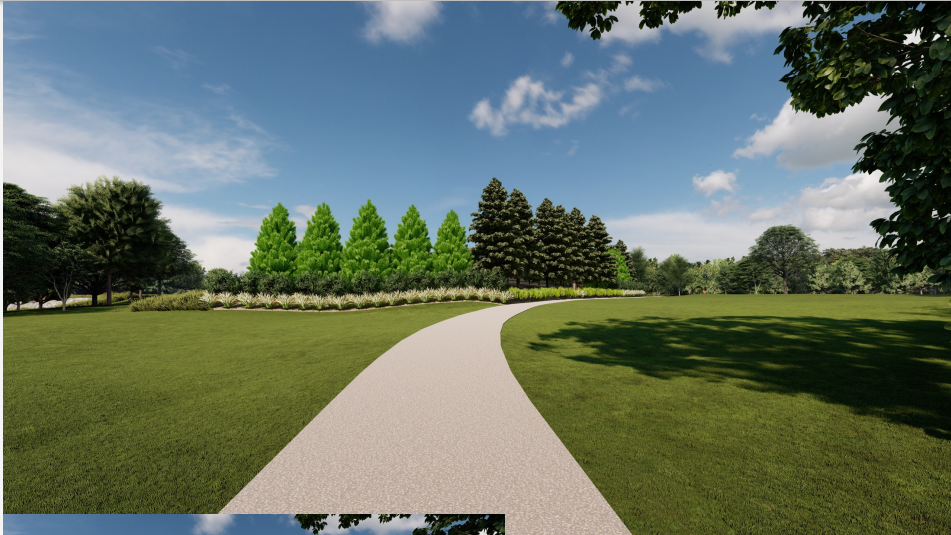
Mill Creek Wet Weather Storage Facility Project Rendering of Completed Facility





Mill Creek Wet Weather Storage Facility Project







Construction

Photos to the right are from a different but similar construction site, and they represent what will be happening at the Mill Creek Wet Weather Storage site.

- General Construction Activities
- Earthwork
- Concrete



CONSTRUCTION IMPACTS:

• Noise

- Normal construction activity, heavy equipment, concrete work.
- Construction primarily during the day, Monday through Friday. Saturday work may be possible with approval by JCW.
- Possibility of limited nighttime work.

• Dirt and Dust

- Tire washing stations.
- Trackout construction grates.
- Spray mist to mitigate dust.



CONSTRUCTION IMPACTS:

- **Traffic**
 - Construction traffic will access site from Vista Drive.
 - Clear Creek Trail may be temporarily impacted.
- **Odor**
 - Majority of work is new construction and will not have any odors.
 - Minimal odors possible during tie in connection.
- **Lighting**
 - Lights only needed during early morning work or if nighttime work is approved.

**Construction notices will be posted on the project website.
Sign up on the website for email notifications of project updates.
PROJECT WEBSITE: www.jcwprogram.com/millcreek**

Estimated Project Schedule

Activity	2023	2024	2025	2026
Design & Contractor Selection				
Construction				
Final Site Restoration				



**What are your concerns and priorities:
During construction?
For the completed facility?**

**Make sure to complete the comment card at
<https://www.surveymonkey.com/r/millcreek-wws>
and give us your input by June 16.**

- Construction notices will be posted on the project website.
- You can sign up on the website for email notifications of project updates.
- PROJECT WEBSITE: www.jcwprogram.com/millcreek
- Email: info@jcwprogram.com